

International 2.4metre Measurement Form


 Grab 99500
 Fock 99493
 IYRU

Name of Yacht... BEATITUDE IYRU Plaque Number... 0168
 Sail Number GER 104 Owner... DIETMAR BUDWILL

Overall length
 Add Overhang Forward to L1
 Overhang Aft to L1

Total Overhang

Measured Length (Overall length - Total Overhang)

Girth at Bow
 Twice Vertical Height at Bow

O at Bow
 Add $1\frac{1}{2}$ O at Bow

Subtract Girth at Stern
 Twice vertical Height at Stern

O at stern
 Add $1/3$ O at Stern

Add any penalty at O2

Correct length, L

Skin girth d to d1 Port
 - Chain girth d to d1 Port
 = Girth difference Port
 Skin girth d to d1 Starboard
 - Chain girth d to d1 Starboard
 = Girth difference Starboard

Add Girth difference Port and Starboard

2 x sum of Girth difference

Add to find sum of L + 2d

Add Mean freeboard Bow O
 Mean freeboard Midships D
 Mean Freeboard Stern O & O2

Sum of Freeboards

Subtract $1/3$ sum Freeboard, F(max 0.292)

= L+2d-F

\sqrt{S}

Total of Measurements L+2d-F+ \sqrt{S}

Divide by 2.37 = RATING=

	4.181	
0.451		
0.655		
.	→ + 1.086	
	3.095	
0.313		
0.241		
0.072		
	0.108	
0.898		
0.529		
0.369		
	0.123	
	.	
	.	→ 3.322
.		
- .		
.	→ . -	
.		
- .		
.	→ . -	
	.	
	.	
0.328		
+0.291		
+0.298		
0.917		
.		
.	→	- 0.292
		3.034
		2.654
		5.688
		2.400

Other Measurements recorded by measurer

Overall Length
 Overhang Forward to L
 Overhang Aft to L
 Total Overhang (Sum overhang forward & aft)
 Waterline Length (Overall length - Total Overhang)
 Beam at 1/3 Height of Midship Freeboard
 Tumblehome
 Minimum measured freeboard when ballasted and swamped in accordance with Rule 8.2
 Weight recorded by weighing in measurer's presence (including 35kg ballast)
 Minimum weight required by Rule $(0.2 \times LWL + 0.06)^3$

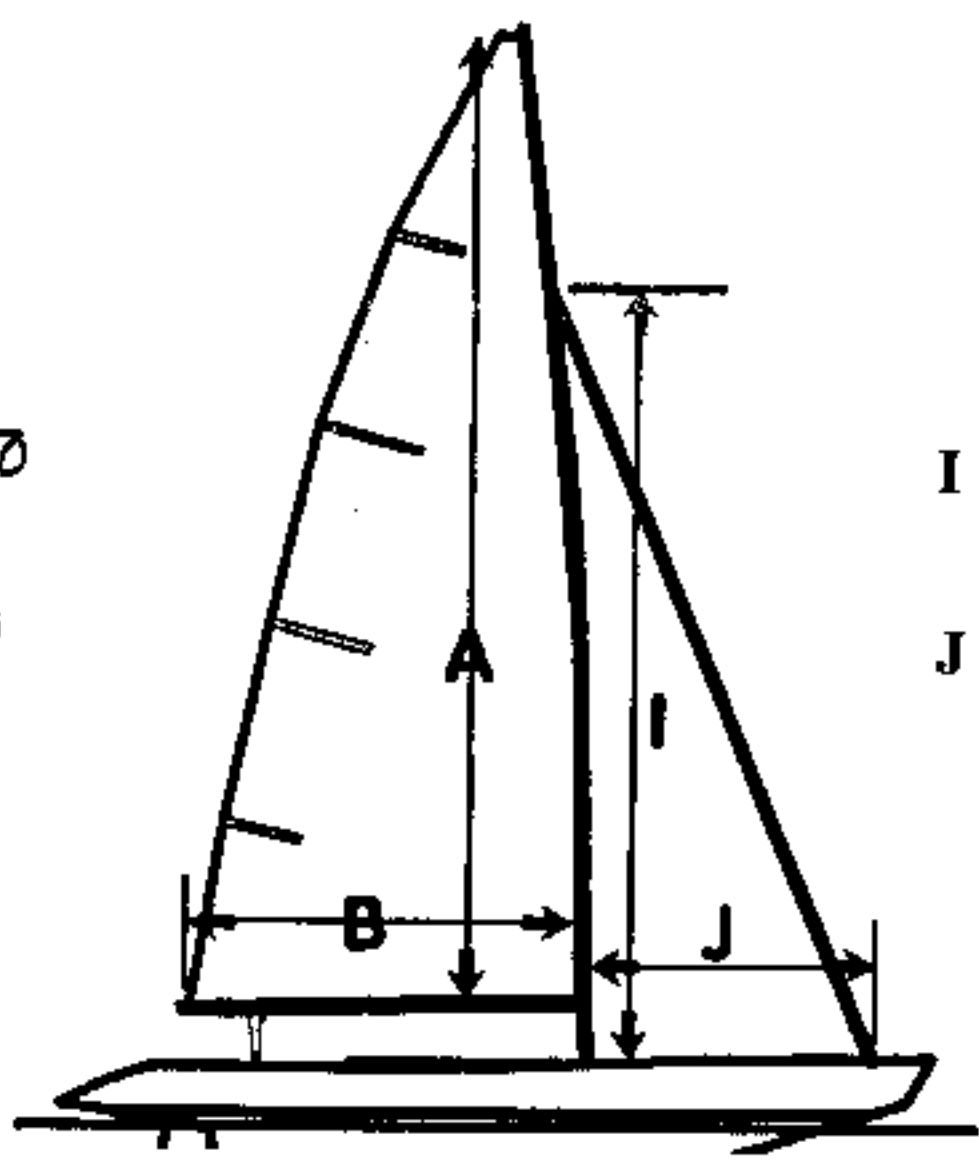
	4.181
0.548	
+ 0.655	
	→ - 1.203
	2.578
	0.752
	—
	0.65
	259.203 kg
	289 kg

WEIGHT OF BALLAST & BALLAST SHALL BE CALLED BY MEASURER

Sail Dimensions

A = 4.650
 B = 1.960

I = 3.750
 J = 1.520



Areas of Sails

Mainsail $0.5 \times P \times E$
 Foretriangle Total $(0.5 \times I \times J) =$
 Foretriangle Total $\times 0.85 =$
 Sail Area for Rating = S =

	4.557 m ²
2.925 m ²	
	2.486 m ²
	7.043 m ²
	2.654

\sqrt{S}

Vasarakuja 6 pub./fax
 Builder 7100. KOKKOLA 268.8317950 Designer... PETER NORLIN When built... 2.2.1998
 Measured by... Esko HYPPIÄ Date of measurement... 2.2.1998
 FYA LIC. N° 0019