

International 2.4metre Measurement Form

Name of Yacht Max IYRU Plaque Number 0124

Sail Number GER 100 Owner DBS

Overall length

Add Overhang Forward to L1
Overhang Aft to L1

Total Overhang

Measured Length (Overall length - Total Overhang)

Girth at Bow

Twice Vertical Height at Bow

O at Bow

Add $1\frac{1}{2}$ O at Bow

Subtract Girth at Stern
Twice vertical Height at Stern

O at stern

Add $\frac{1}{3}$ O at Stern

Add any penalty at O2

Correct length, L

Skin girth d to d1 Port
- Chain girth d to d1 Port

= Girth difference Port

Skin girth d to d1 Starboard
- Chain girth d to d1 Starboard

= Girth difference Starboard

Add Girth difference Port and Starboard

2 x sum of Girth difference

Add to find sum of L + 2d

Add Mean freeboard Bow O
Mean freeboard Midships D
Mean Freeboard Stern O & O2

Sum of Freeboards

Subtract $\frac{1}{3}$ sum Freeboard, F(max 0.292)

= L+2d-F

\sqrt{S}

Total of Measurements L+2d-F \sqrt{S}

Divide by 2.37 = RATING=

	4.182	
0.432		
0.655		
.	→ + 1.082	
	3.095	
0.312		
0.240		
0.072		
	0.108	
0.898		
0.529		
0.369		
	0.123	
	.	
	.	→ 3,326
.	-	
-	.	
.	→ . -	
.	.	
-	.	
.	→ . -	
	.	
	.	
0.327		
+0.291		
+0.298		
0.916		
.		
.	→ . -	- 0.292
		3.034
		2.654
		5.688
		2.400

Other Measurements recorded by measurer

Overall Length
 Overhang Forward to L
 Overhang Aft to L
 Total Overhang (Sum overhang forward & aft)
 Waterline Length (Overall length - Total Overhang)
 Beam at 1/3 Height of Midship Freeboard
 Tumblehome
 Minimum measured freeboard when ballasted and swamped in accordance with Rule 8.2
 Weight recorded by weighing in measurer's presence (including 35kg ballast)
 Minimum weight required by Rule $(0.2 \times LWL + 0.06)^3$

	4.182
0.549	
+ 0.655	
	→ - 1.204
	2.978
	2.750
	-
	0.052
	259 kg
	2.94
	2.89 kg

85 kg Ballast + 174 kg

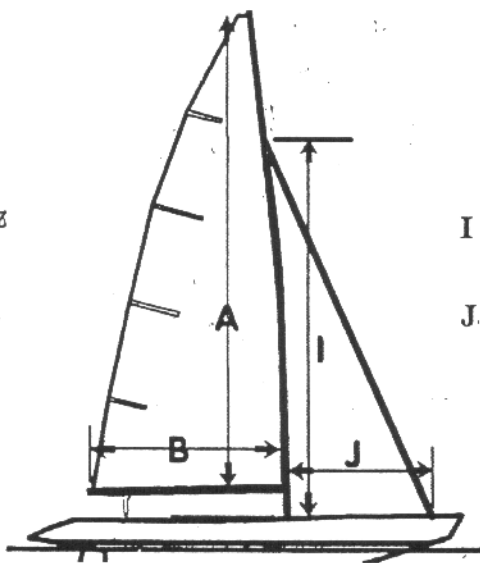
Sail Dimensions

$A = 4.658$

$B = 1.966$

$I = 3.758$

$J = 1.560$



Areas of Sails

Mainsail $0.5 \times P \times E$

Foretriangle Total $(0.5 \times I \times J) =$

Foretriangle Total $\times 0.85 =$

Sail Area for Rating = $S =$

\sqrt{S}

WENE-BJORNDAL Ky

Vasarakuja 6 puh./fax

Builder **ESKO KOKKOLA** 068-8317950

Designer **PERER NORLIW**

When built **1997**

Measured by **ESKO HYYPÄ**

ESKO HYYPÄ
 FYA LIL. N:o 0019

Date of measurement **11.1.1997**