

International 2.4metre Measurement Form

Name of Yacht Jlona 3 IYRU Plaque Number 0116

Sail Number FIN 69 Owner Jussi MATTILA

Overall length

Add Overhang Forward to L1
Overhang Aft to L1

Total Overhang

Measured Length (Overall length - Total Overhang)

Girth at Bow
Twice Vertical Height at Bow

O at Bow
Add 1/2 O at Bow

Subtract Girth at Stern
Twice vertical Height at Stern

O at stern
Add 1/3 O at Stern
Add any penalty at O2

Correct length, L

Skin girth d to d1 Port
- Chain girth d to d1 Port
= Girth difference Port

Skin girth d to d1 Starboard
- Chain girth d to d1 Starboard
= Girth difference Starboard

Add Girth difference Port and Starboard

2 x sum of Girth difference

Add to find sum of L + 2d

Add Mean freeboard Bow O
Mean freeboard Midships D
Mean Freeboard Stern O & O2

Sum of Freeboards

Subtract 1/3 sum Freeboard, F(max 0.292)

= L+2d-F

\sqrt{S}

Total of Measurements L+2d-F+ \sqrt{S}

Divide by 2.37 = RATING=

	4.182	
0.432		
0.655		
.	→ + 1.087	
	3.095	
0.312		
0.240		
0.072		
	0.108	
0.898		
0.529		
0.369		
	0.123	
	.	
	.	→ 3.320
.		
- .		
.	→ . -	
.		
- .		
.	→ . -	
	.	
	.	
0.327		
+0.291		
+0.298		
0.916		
.		
.	→	- 0.292
		3.037
		2.654
		5.688
		2.400

Other Measurements recorded by measurer

Overall Length
 Overhang Forward to L
 Overhang Aft to L
 Total Overhang (Sum overhang forward & aft)
 Waterline Length (Overall length - Total Overhang)
 Beam at 1/3 Height of Midship Freeboard
 Tumblehome
 Minimum measured freeboard when ballasted and swamped in accordance with Rule 8.2
 Weight recorded by weighing in measurer's presence (including 35kg ballast)
 Minimum weight required by Rule $(0.2 \times LWL + 0.06)^3$

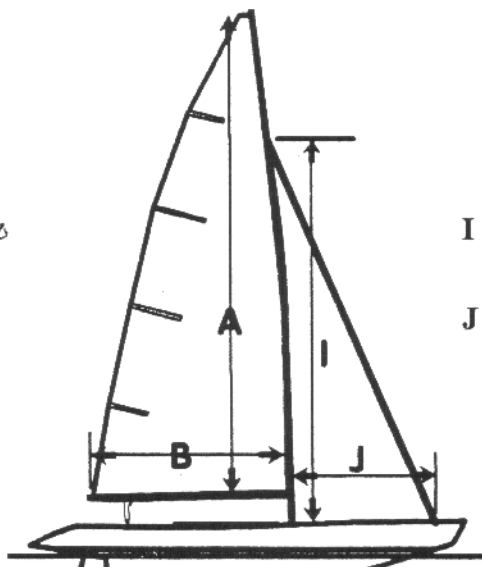
	4.182
0.549 + 0.655	
	→ - 1.264
	2.928
	0.750
	-
	0.050
	(259) kg 297
	2.89 kg

90kg boat + 169kg

Sail Dimensions

A = 4.650
 B = 1.960

I = 3.750
 J = 1.520



VEIKKAFT
 12.9.1995
 VAN HELGOU
 av Michael Kempf

Areas of Sails

JYHANI (Jussi)
 MATTIKX
 PULKE!
 DIED
 9.2001

Mainsail $0.5 \times P \times E$
 Foretriangle Total $(0.5 \times I \times J) =$
 Foretriangle Total $\times 0.85 =$
 Sail Area for Rating = S =

	4.557 m ²
2.925 m ²	
	2.480 m ²
	7.043 m ²
	2.654

√S **VEINE-BJÖRNDALH** Ky

Builder **VEINE-BJÖRNDALH** Designer **PETER N. RLIN** When built **1997**

Measured by **Esko Hyyppä** Date of measurement **11.1.1997**
 FYA LIL N. 0019